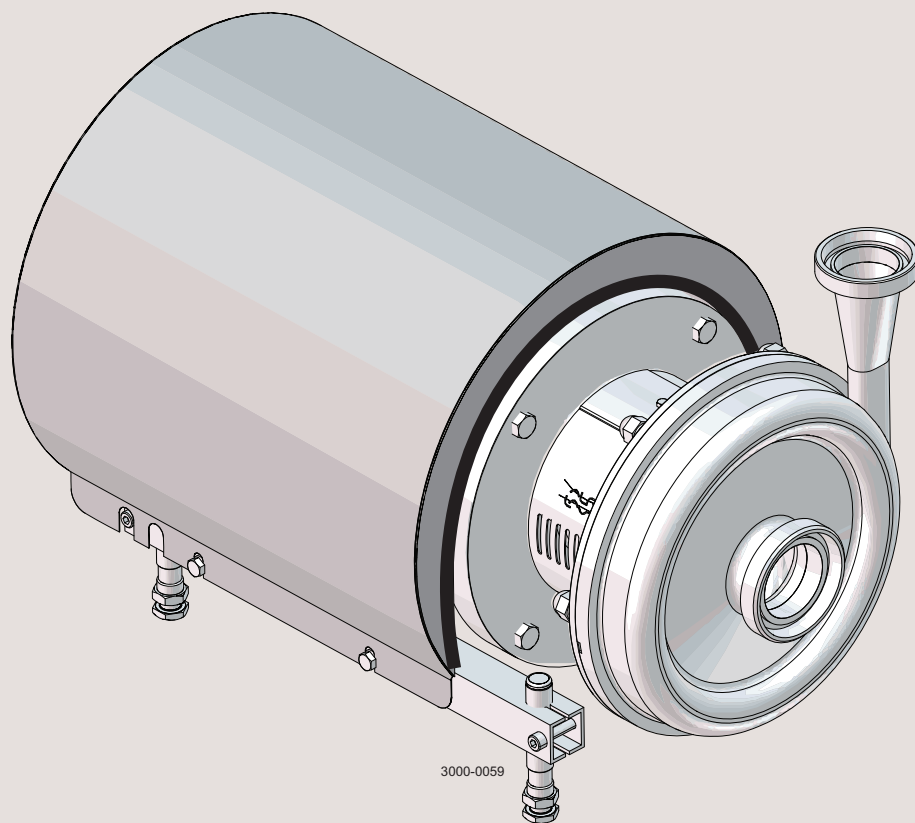




## Spare Parts

### LKH Centrifugal Pump



ESE00714-EN14 2017-10

Original manual

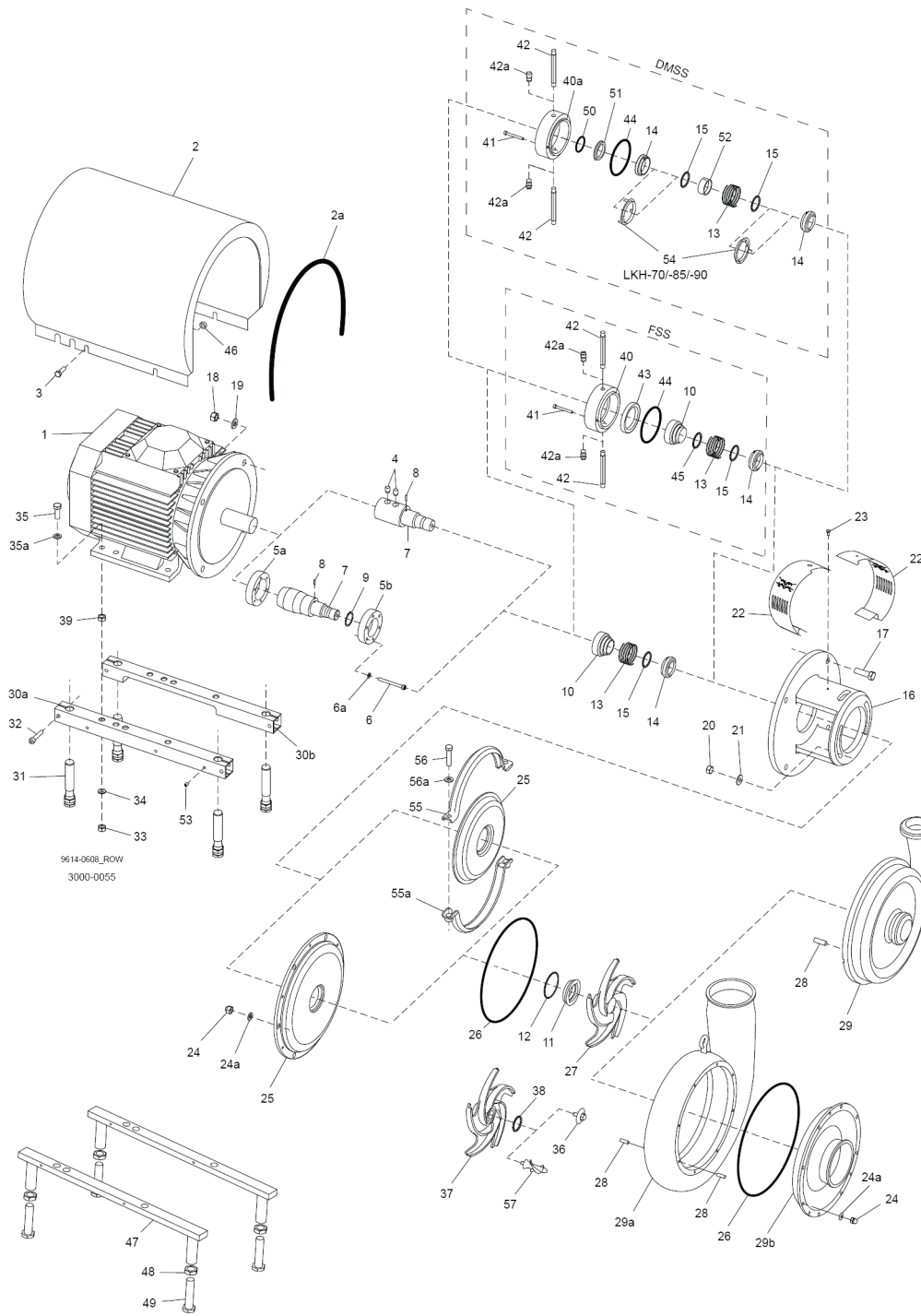


## Table of contents

---

*The information herein is correct at the time of issue but may be subject to change without prior notice*

1. LKH - Wet end .....	4
2. LKH - Motor dependent parts .....	12
3. LKH - Shaft seal .....	18

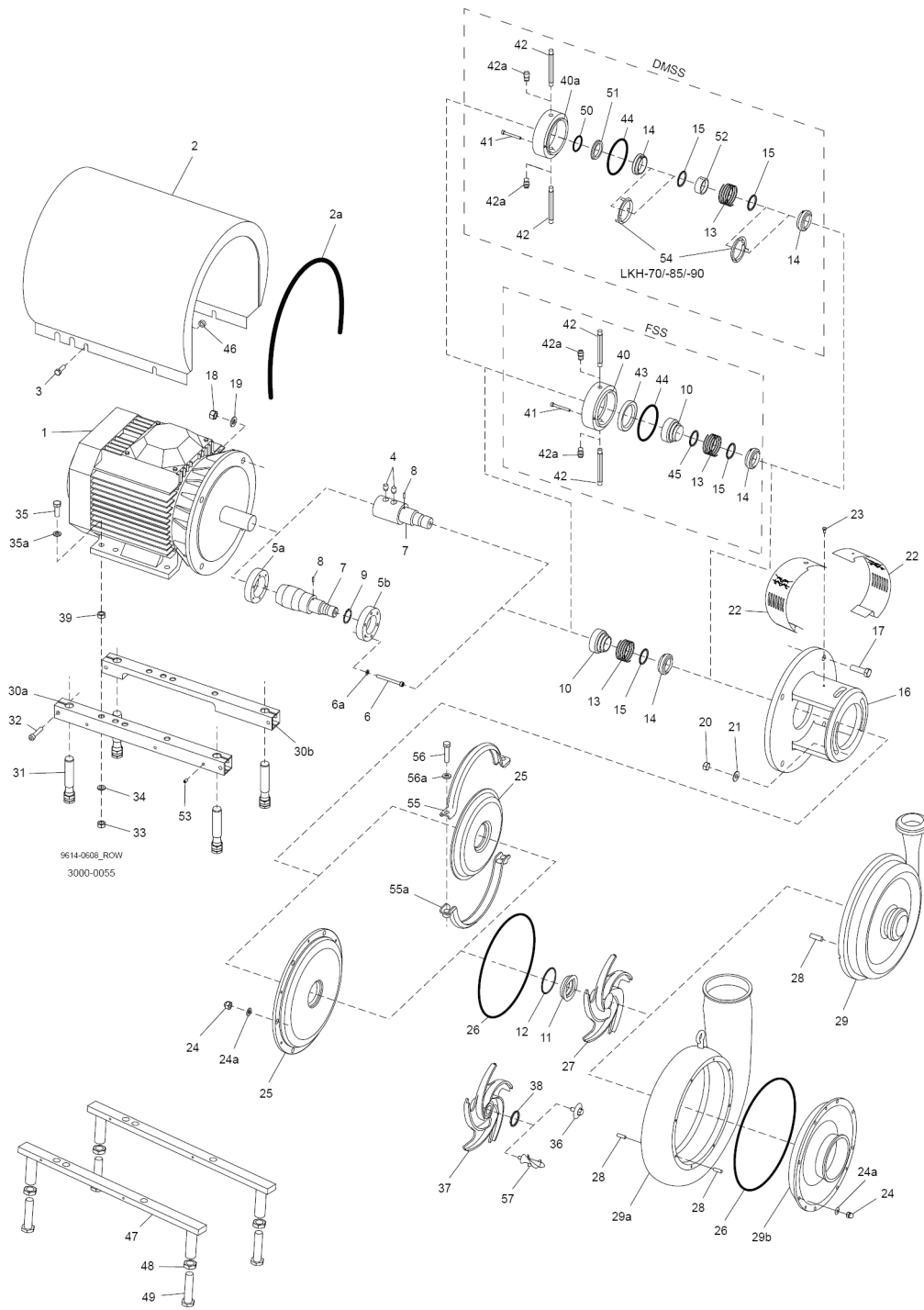


\* If inducer (57) is retrofitted. Pump inlet may have to be slightly ground.

Pos	Qty	Denomination	LKH-5	LKH-10	LKH-15	LKH-20
			IEC80-IEC90	IEC90-IEC112	IEC100-IEC132	IEC90-IEC132
<b>Pump casing std. blasted</b>						
29	1	IDF Malepart, BS4825 part4 (IDF) for BS 4825 tubes	9612492425	9612139801	9612492401	9612139806
	1	Pump casing, SMS	9612492426	9612139802	9612492402	9612139807
	1	Pump casing, DIN/ISO	9612492427	9612139803	9612492403	9612139808
	1	Pump casing, ISO	9612492428	9612139804	9612492404	9612139809
	1	Pump casing, BS	9612492429	9612139805	9612492405	9612139810
	1	Pump casing, DS	9612492430	9612139826	9612492421	9612139828
	1	Pump casing, DIN/DIN	9614057801	9612139827	9614057802	9612139829
	1	Pump casing, Flange DN50/DN40	9612138014			
	1	Pump casing, Flange DN65/DN50		9612138001		9612138002
	1	Pump casing, Flange DN100/DN80				

Pos	Qty	Denomination	LKH-25	LKH-35	LKH-40	LKH-45
			IEC112-IEC160	IEC112-IEC160	IEC132-IEC180	IEC112-IEC160
<b>Pump casing std. blasted</b>						
29	1	Pump casing, IDF	9612492406	9612492411	9612139816	
	1	Pump casing, SMS	9612492407	9612492412	9612139817	9612492417
	1	Pump casing, DIN/ISO	9612492408	9612492413	9612139818	9612492418
	1	Pump casing, ISO	9612492409	9612492414	9612139819	9612492419
	1	Pump casing, BS	9612492410	9612492415	9612139820	9612492420
	1	Pump casing, DS	9612492422		9612139830	9612492424
	1	Pump casing, DIN/DIN	9614057803	9614057804	9612139831	9614057805
	1	Pump casing, Flange DN65/DN50		9612138010		
	1	Pump casing, Flange DN80/DN65	9612138009		9612138004	
	1	Pump casing, Flange DN100/DN80				9612138011

Pos	Qty	Denomination	LKH-50	LKH-60	LKH-70	LKH-85	LKH-90
			IEC132-IEC180	IEC132-IEC200	IEC132-IEC250	IEC200-IEC280	IEC200-IEC250
<b>Pump casing std. blasted</b>							
29	1	Pump casing, IDF	9612139821	9612355401	9612514701		
	1	Pump casing, SMS	9612139822	9612355402	9612514702		
	1	Pump casing, DIN/ISO	9612139823	9612355403	9612514703		
	1	Pump casing, ISO	9612139824	9612355404	9612514704		
	1	Pump casing, BS	9612139825	9612355405	9612514705		
	1	Pump casing, DS	9612139832	9612355406	9612514711		
	1	Pump casing, DIN/DIN		9612355419	9612514732		
	1	Pump casing, NW 150/100			9612568202		
	1	Pump casing, 152.4/101.6 CL		9612355408	9612568201		
	1	Pump casing, DN150/100 CL DIN/DIN			9612568206		
	1	Pump casing, Flange DN100/DN80	9612138005		9612138012		
	1	Pump casing, Flange DN100/DN100					
	1	Pump casing, Flange DN150/DN100		9612138007			
29a	1	Pump casing, ISO-clamp				9613405505	
	1	Pump casing, DIN				9613405506	9613405502
29b	1	Pump cover, ISO-clamp				9613405105	9613405101
	1	Pump cover, DIN				9613405106	9613405102

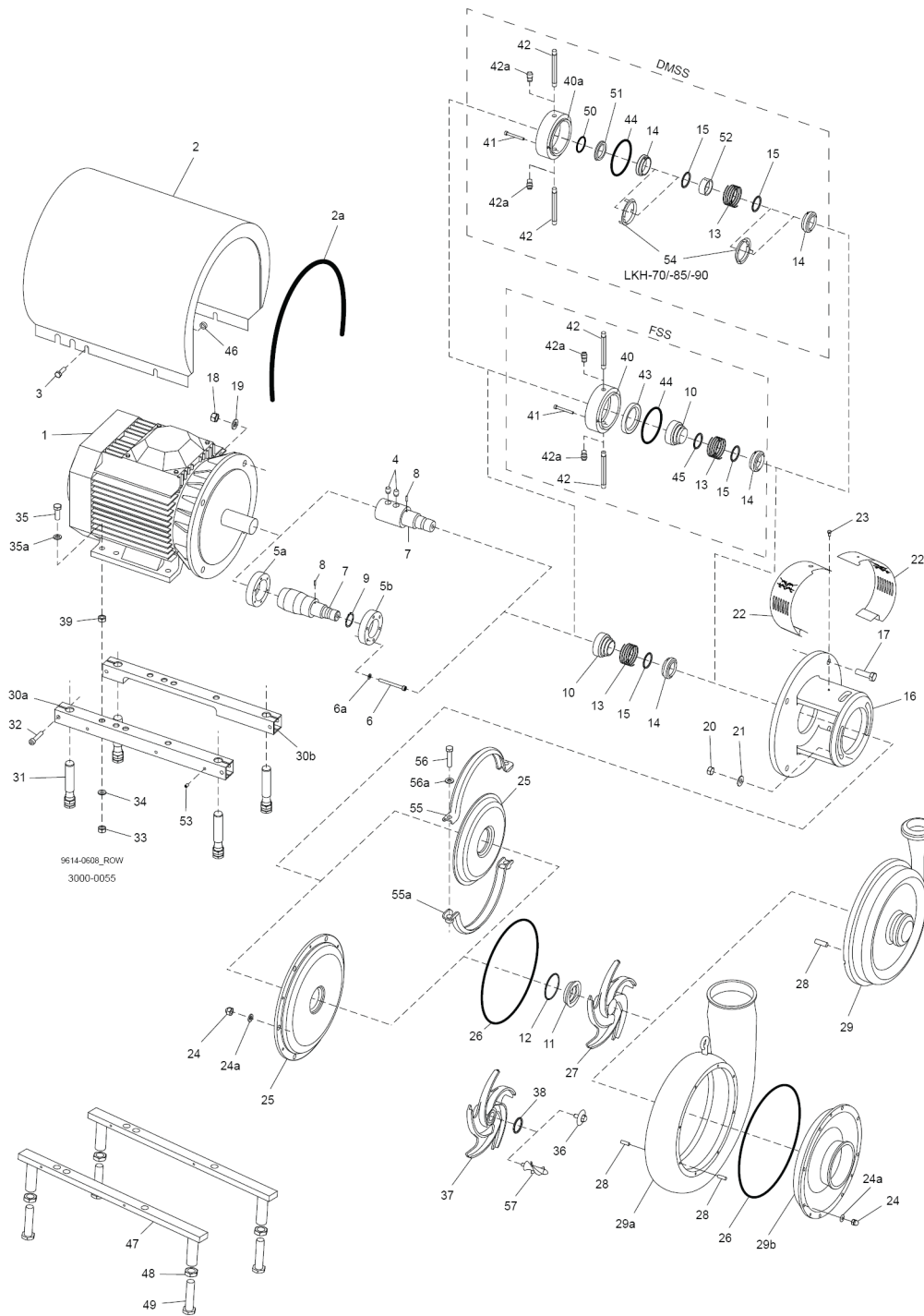


\* If inducer (57) is retrofitted. Pump inlet may have to be slightly ground.

Pos	Qty	Denomination	LKH-5	LKH-10	LKH-15	LKH-20
			IEC80-IEC90	IEC90-IEC112	IEC132	IEC90-IEC132
<b>Pump casing Mech Ra ≤ 0.8</b>						
29	1	Pump casing, IDF .....	9612492525	9612457201	9612492501	9612457206
	1	Pump casing, SMS .....	9612492526	9612457202	9612492502	9612457207
	1	Pump casing, DIN/ISO .....	9612492527		9612492503	9612457208
	1	Pump casing, ISO .....	9612492528	9612457204	9612492504	9612457209
	1	Pump casing, BS .....	9612492529	9612457205	9612492505	9612457210
	1	Pump casing, DS .....	9612492530	9612457226	9612492521	9612457228
	1	Pump casing, DIN/DIN .....	9614057806	9612457227	9614057807	9612457229

Pos	Qty	Denomination	LKH-25	LKH-35	LKH-40	LKH-45
			IEC112-IEC160	IEC112-IEC160	IEC132-IEC180	IEC112-IEC160
<b>Pump casing Mech Ra ≤ 0.8</b>						
29	1	Pump casing, IDF .....	9612492506	9612492511	9612457216	9612492516
	1	Pump casing, SMS .....	9612492507	9612492512	9612457217	9612492517
	1	Pump casing, DIN/ISO .....		9612492513	9612457218	9612492518
	1	Pump casing, ISO .....	9612492509	9612492514	9612457219	9612492519
	1	Pump casing, BS .....	9612492510	9612492515	9612457220	9612492520
	1	Pump casing, DS .....	9612492522	9612492523	9612457230	9612492524
	1	Pump casing, DIN/DIN .....	9614057808	9614057809	9612457231	9614057810

Pos	Qty	Denomination	LKH-50	LKH-60	LKH-70	LKH-85	LKH-90
			IEC132-IEC180	IEC132-IEC200	IEC132-IEC250	IEC200-IEC280	IEC200-IEC250
<b>Pump casing Mech Ra ≤ 0.8</b>							
29	1	Pump casing, IDF .....	9612457221	9612355409	9612514706		
	1	Pump casing, SMS .....	9612457222	9612355410	9612514707		
	1	Pump casing, DIN/ISO .....	9612457223	9612355411	9612514708		
	1	Pump casing, ISO .....	9612457224	9612355412	9612514709		
	1	Pump casing, BS .....	9612457225	9612355413	9612514710		
	1	Pump casing, DS .....	9612457232	9612355414	9612514712		
	1	Pump casing, DIN/DIN .....	9612457233	9612355420	9612514733		
	1	Pump casing, NW 150/100 .....		9612355415	9612568208		
	1	Pump casing, 152.4/101.6 CL .....		9612355416	9612568207		
	1	Pump casing, 150/100 CL DIN/DIN .....			9612568209		
29a	1	Pump casing, ISO-clamp .....					9613405503
	1	Pump casing, DIN .....				9613405508	9613405504
29b	1	Pump cover, ISO-clamp .....				9613405107	9613405103
	1	Pump cover, DIN .....				9613405108	



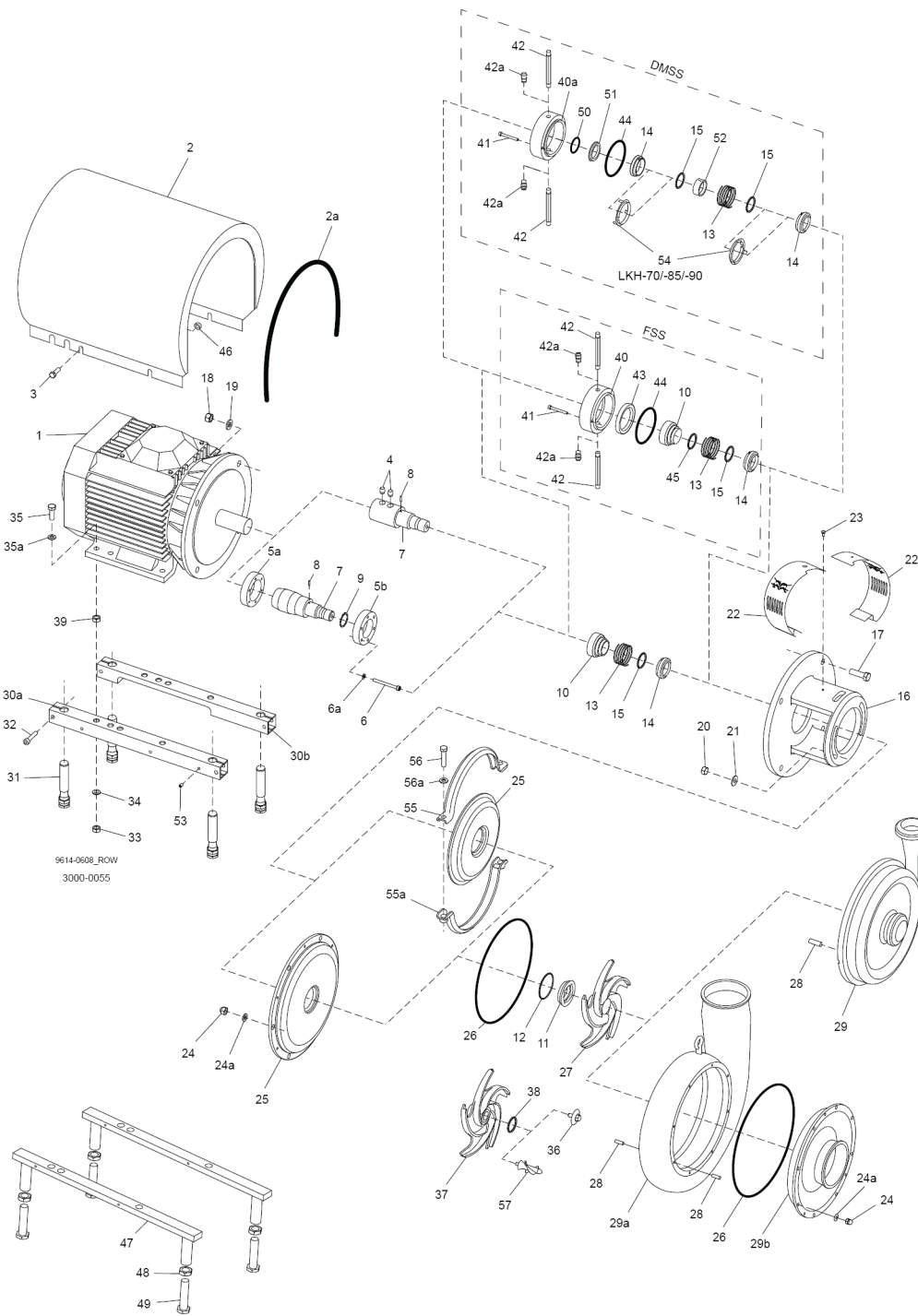
\* If inducer (57) is retrofitted. Pump inlet may have to be slightly ground.



Pos	Qty	Denomination	LKH-5	LKH-10	LKH-15	LKH-20
			IEC80-IEC90	IEC90-IEC112	IEC100-IEC132	IEC90-IEC132
24	6	Cap nut .....		9611992592	9611992592	9611992592
24a	6	Washer .....		9611991888	9611991888	9611991888
28	6	Bolt .....		9611992168	9611992168	9611992168
26	1	O-ring, EPDM (standard) .....	9611993560	9611992137	9611992137	9611992141
	1	O-ring, NBR .....	9611993561	9611992139	9611992139	9611992143
	1	O-ring, FPM .....	9611993562	9611992138	9611992138	9611992142
	1	O-ring, FEP .....	9611993563	9611992140	9611992140	9611992144
27	1	Impeller, std. blasted .....	9612587601	9612131201	9612431401	9612131401
	1	Impeller, Mech Ra ≤ 0.8 .....	9612587605	9612131205	9612431405	9612131405
37	1	Impeller for impeller screw, std. blasted Ra ≤ 1.6 .....	9612587602	9612131202	9612431402	9612131402
	1	Impeller for impeller, Mech Ra ≤ 0.8 .....	9612587606	9612131206	9612431406	9612131406
36	1	Impeller screw, std. blasted Ra ≤ 1.6 .....	9612362701	9612139601	9612139601	9612139601
	1	Impeller screw, Mech Ra ≤ 0.8 .....	9612362703	9612139603	9612139603	9612139603
	1	Impeller screw, (for inducer) .....		9612139607	9612139607	9612139607
57 *	1	Inducer .....		9612508802	9612508702	9612508802
38	1	O-ring, EPDM .....	9611992750	9611992145	9611992145	9611992145
	1	O-ring, NBR .....	9611992751	9611992147	9611992147	9611992147
	1	O-ring, FPM .....	9611992752	9611992146	9611992146	9611992146
	1	O-ring, FEP .....	9611993539	9611992148	9611992148	9611992148
25	1	Back plate, std. blasted .....	9612138428	9612138404	9612138404	9612138405
	1	Back plate, Mech Ra ≤ 0.8 .....	9612138429	9612138420	9612138420	9612138421
20	2	Nut .....	9611990360	9611990353	9611990353	9611990353
21	2	Washer .....	9611991831	9611992559	9611992559	9611992559
55	1	Upper clamp .....	9612589502			
55a	1	Lower clamp .....	9612589602			
56	2	Screw .....	9611991126			
56a	2	Spring washer .....	9611991831			

Pos	Qty	Denomination	LKH-25	LKH-35	LKH-40	LKH-45
			IEC112-IEC160	IEC112-IEC160	IEC132-IEC180	IEC112-IEC160
24	6	Cap nut .....	9611992593	9611992593	9611992593	9611992593
24a	6	Washer .....	9611991887	9611991887	9611991887	9611991887
28	6	Bolt .....	9611992169	9611992169	9611992169	9611992169
26	1	O-ring, EPDM (standard) .....	9611992983	9611992983	9611992171	9611992983
	1	O-ring, NBR .....	9611992984	9611992984	9611992173	9611992984
	1	O-ring, FPM .....	9611992985	9611992985	9611992172	9611992985
	1	O-ring, FEP .....	9611992986	9611992986	9611992174	9611992986
27	1	Impeller, std. blasted .....	9612425201	9612434101	9612131801	9612363001
	1	Impeller, Mech Ra ≤ 0.8 .....	9612425205	9612434105	9612131805	9612363005
37	1	Impeller for impeller screw, std. blasted Ra ≤ 1.6 .....	9612425202	9612434102	9612131802	9612363002
	1	Impeller for impeller, Mech Ra ≤ 0.8 .....	9612425206	9612434106	9612131806	9612363006
36	1	Impeller screw, std. blasted Ra ≤ 1.6 .....	9612139601	9612139601	9612139601	9612139601
	1	Impeller screw, Mech Ra ≤ 0.8 .....	9612139603	9612139603	9612139603	9612139603
	1	Impeller screw, (for inducer) .....	9612139607	9612139607	9612139607	9612139607
57 *	1	Inducer .....	9612508902	9612508802	9612508902	9612508702
38	1	O-ring, EPDM .....	9611992145	9611992145	9611992145	9611992145
	1	O-ring, NBR .....	9611992147	9611992147	9611992147	9611992147
	1	O-ring, FPM .....	9611992146	9611992146	9611992146	9611992146
	1	O-ring, FEP .....	9611992148	9611992148	9611992148	9611992148
25	1	Back plate, std. blasted .....	9612138423	9612138423	9612138406	9612138423
	1	Back plate, Mech Ra ≤ 0.8 .....	9612138424	9612138424	9612138422	9612138424
20	2	Nut .....	9611990353	9611990353	9611990353	9611990353
21	2	Washer .....	9611992559	9611992559	9611992559	9611992559

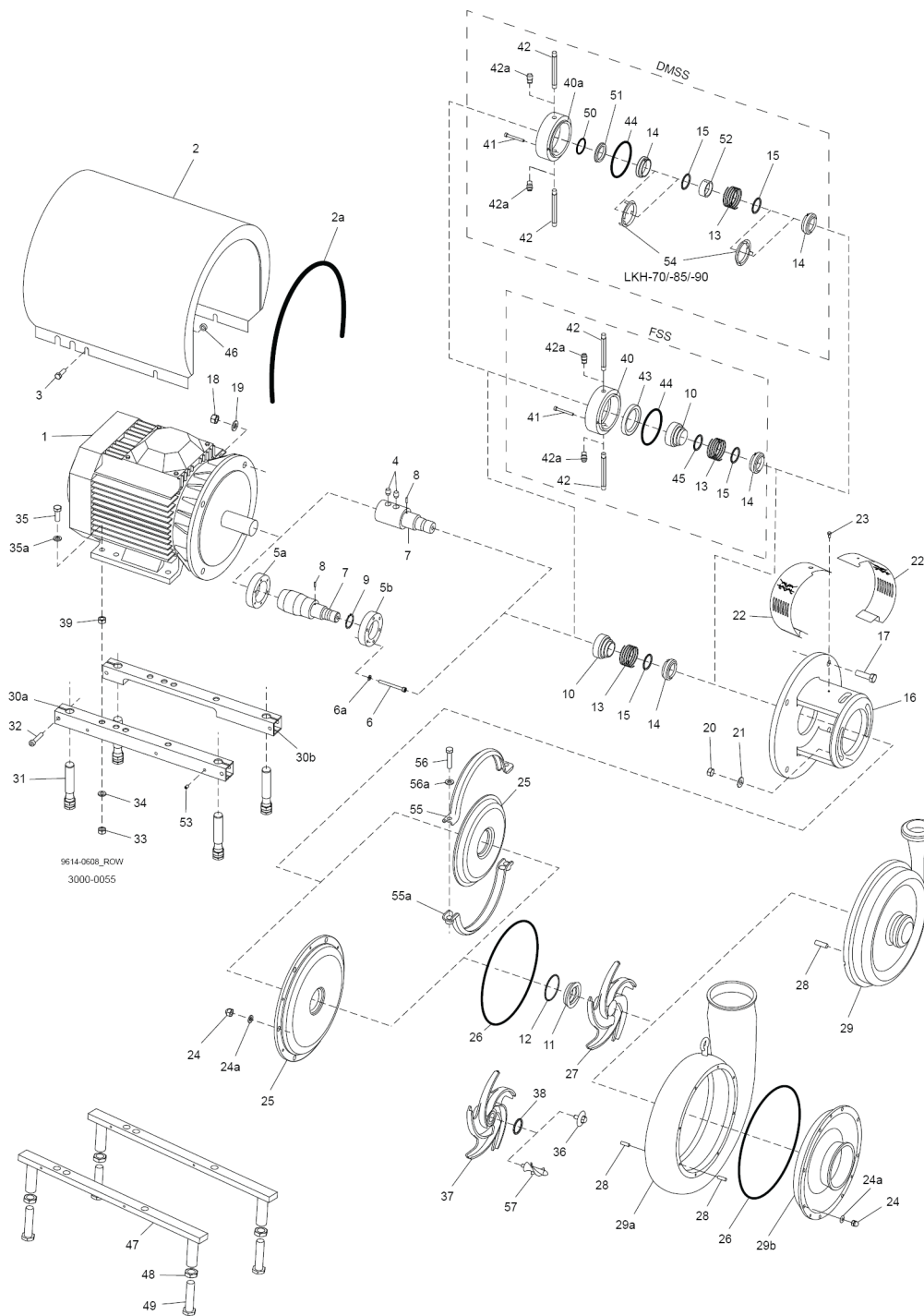
\* If inducer (57) is retrofitted. Pump inlet may have to be slightly ground.



\* If inducer (57) is retrofitted. Pump inlet may have to be slightly ground.

Pos	Qty	Denomination	LKH-50 IEC132- IEC180	LKH-60 IEC132- IEC200	LKH-70 IEC132- IEC250	LKH-85 IEC200- IEC280	LKH-90 IEC200- IEC250
24	6	Cap nut .....	9611992593	9611992593			
24a	6	Washer .....	9611991887	9611991887			
28	6	Bolt .....	9611992169	9611992169			
24	8	Cap nut .....			9611992593		
24a	8	Washer .....			9611991887		
28	8	Bolt .....			9611992169		
24	16	Cap nut .....				9611992593	9611992593
24a	16	Washer .....				9611991887	9611991887
28	16	Pin bolt .....				9611992169	9611992169
26	1	O-ring, EPDM, (standard) .....	9611992171	9611992171	9611993211		
	1	O-ring, NBR .....	9611992173	9611992173	9611993212		
	1	O-ring, FPM .....	9611992172	9611992172	9611993213		
	1	O-ring, FEP .....	9611992174	9611992174	9611993214		
	2	O-ring, EPDM, (standard) .....				9611994249	9613404701
	2	O-ring, NBR .....				9611994250	9613404702
	2	O-ring, FPM .....				9611994251	9613404703
	2	O-ring, FEP .....				9611994252	9613404704
27	1	Impeller, std. blasted .....	9612132001	9612128301			
	1	Impeller, Mech Ra ≤ 0.8 .....	9612132005	9612128305			
37	1	Impeller for impeller screw, std. blasted Ra ≤ 1.6 .....	9612132002	9612128302	9612499401	9613416101	9613405901
	1	Impeller for impeller, Mech Ra ≤ 0.8 .....	9612132006	9612128306	9612499403	9613416102	9613405902
36	1	Impeller screw, std. blasted Ra ≤ 1.6 .....	9612139601	9612139601	9612927101	9612927104	9612927104
	1	Impeller screw, Mech Ra ≤ 0.8 .....	9612139603	9612139603	9612927102	9612927105	9612927105
	1	Impeller screw, (for inducer) .....	9612139607				
57 *	1	Inducer .....	9612508702				
38	1	O-ring, EPDM .....	9611992145	9611992145	9611993215	9611993215	9611993215
	1	O-ring, NBR .....	9611992147	9611992147	9611993216	9611993216	9611993216
	1	O-ring, FPM .....	9611992146	9611992146	9611993217	9611993217	9611993217
	1	O-ring, FEP .....	9611992148	9611992148	9611993218	9611993218	9611993218
25	1	Back plate, std. blasted .....	9612138406	9612138406	9612514601	9612514615	9612514612
	1	Back plate, Mech Ra ≤ 0.8 .....	9612138422	9612138422	9612514607	9612514614	9612514611
20	2	Nut .....	9611990353	9611990353			
21	2	Washer .....	9611992559	9611992559			
20	4	Nut .....			9611990353	9611990353	9611990353
21	4	Washer .....			9611992559	9611992559	9611992559

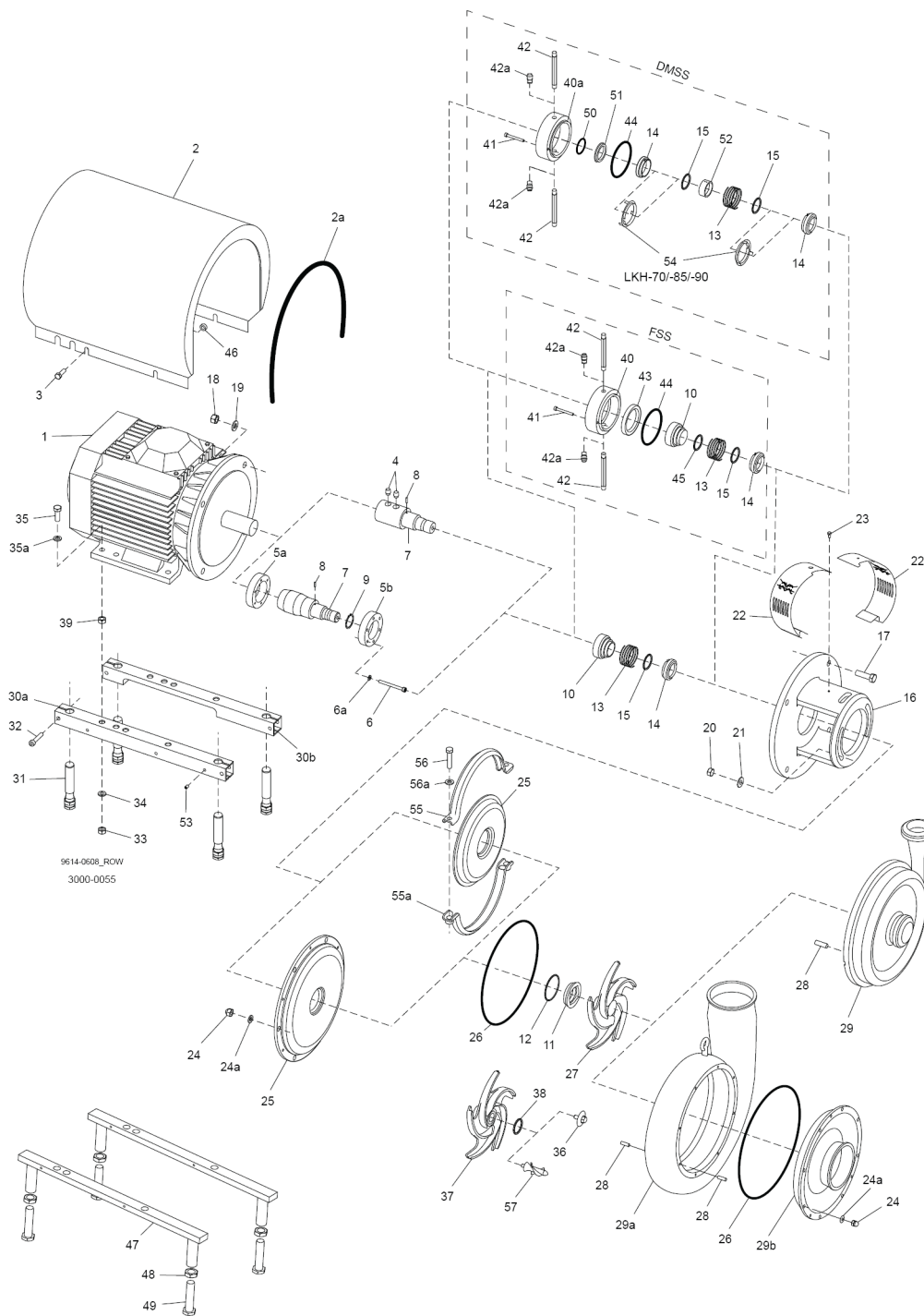
\* If inducer (57) is retrofitted. Pump inlet may have to be slightly ground.



**LKH - Motor dependent parts**

Pos	Qty	Denomination	LKH-5	LKH-5	LKH 10-60	LKH 10-60	LKH 10-60
			IEC80	IEC90	IEC90	IEC100	IEC112
5a	1	Compression ring with thread .....			9612133601	9612133602	9612133602
5b	1	Compression ring without thread .....			9612133701	9612133702	9612133702
6	6	Screw .....			9611993196	9611993196	9611993196
6a	6	Washer .....			9611993199	9611993199	9611993199
7	1	Shaft incl. pin, (pos.8) .....	9612588101	9612588201		9612132502	9612132502
	1	Shaft incl. pin and retaining ring, (pos.8+9) ..			9612132402		
	1	Shaft (for inducer) incl. pin, (pos.8) .....				9612132505	9612132505
	1	Shaft (for inducer) incl. pin and retaining ring, (pos. 8+9) .....			9612132405		
8	1	Connex pin .....	9611990622	9611990622	9611990622	9611990622	9611990622
9	1	Retaining ring .....			9611992307		
4	2	Screw .....	9612587501	9612587502			
2	1	Shroud .....	9612139026	9612139001	9612139001	9614192203	9612139003
3	4	Screw .....	9611993240	9611993240	9611993240	9611993240	9611993240
16	1	Adaptor .....	9612587901	9612587901	9612342301	9612342401	9612342401
17	4	Screw for adaptor .....	9611992161	9611992161	9611992161	9611991834	9611991834
18	4	Nut for adaptor .....	9611990353	9611990353	9611990353	9611990587	9611990587
19	4	Washer for adaptor .....	9611991887	9611991887	9611991887	9611990676	9611990676
22	1	Safety guard set .....	9614077414	9614077414	9614077401	9614077402	9614077402
23	1	Screw for safety guard .....	9611993239	9611993239	9611993239	9611993239	9611993239
30a	1	Support bar, right .....	9612132201	9612132201	9612132201	9612132205	9612132205
30b	1	Support bar, left .....	9612132301	9612132301	9612132301	9612132305	9612132305
31	4	Leg .....	9612396701	9612396701	9612396701	9612396701	9612396701
32	4	Screw .....	9611991126	9611991126	9611991126	9611991126	9611991126
33	4	Nut .....	9611990360	9611990360	9611990360	9611990353	9611990353
34	4	Spring washer .....	9611991888	9611991888	9611991888	9611991887	9611991887
35	4	Screw .....	9611993606	9611993241	9611993241	9611991911	9611991911
35a	4	Washer .....	9611991831			9611990786	9611990786
39	4	Nut .....	9611990587			9611990587	
46	4	Distance sleeve .....					9611992737

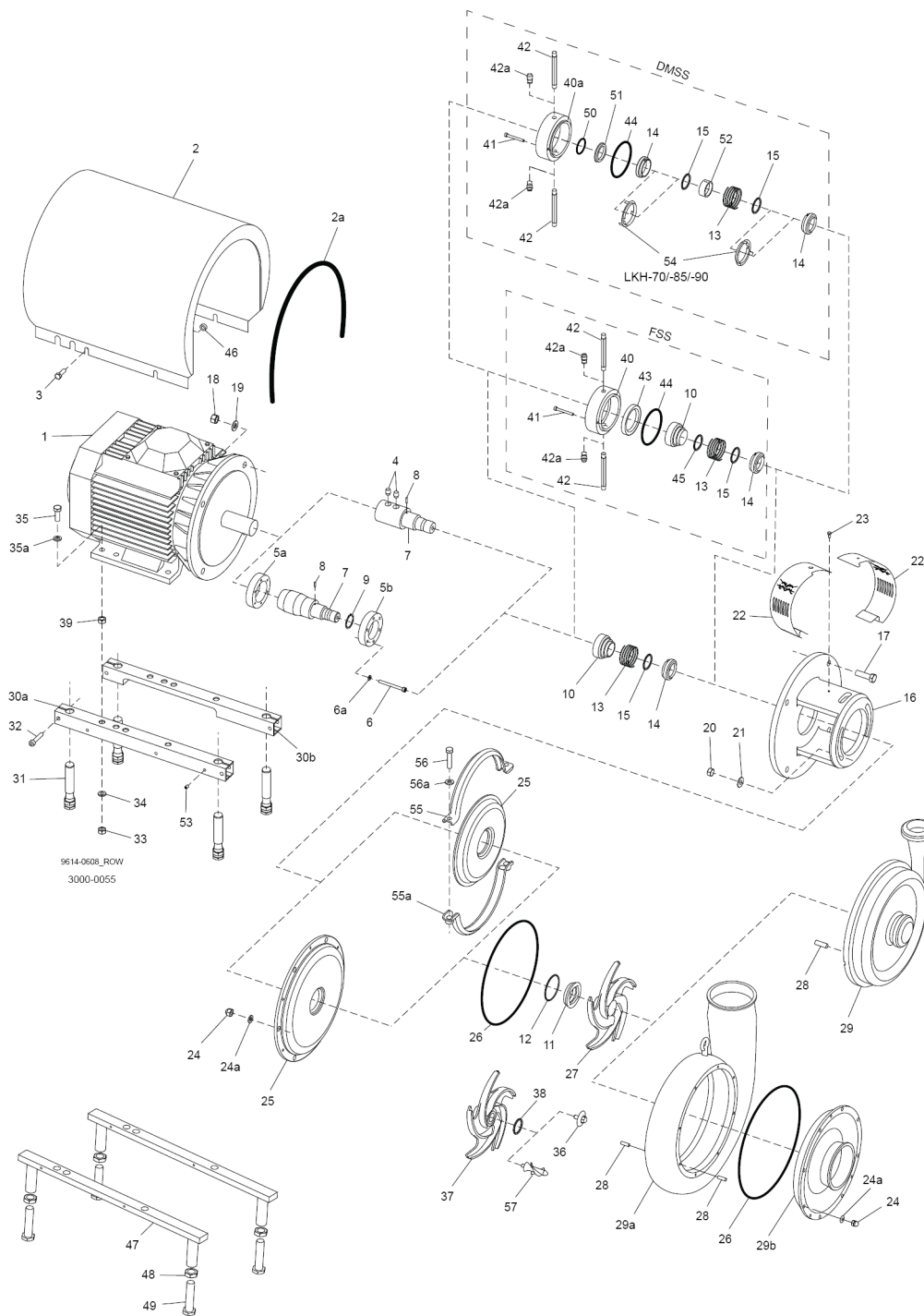
Pos	Qty	Denomination	LKH 10-60	LKH 10-60	LKH 10-60	LKH 10-60
			IEC132	IEC160	IEC180	IEC200
5a	1	Compression ring with thread .....	9612133605	9612133603	9612133604	9612133607
5b	1	Compression ring without thread .....	9612133705	9612133703	9612133704	9612133707
6	6	Screw .....	9611993197	9611993198	9611993198	9611993198
6a	6	Washer .....	9611993199	9611993199	9611993199	9611993199
7	1	Shaft incl. pin, (pos.8) .....	9612132602	9612132702	9612132802	9612232902
	1	Shaft (for inducer) incl. pin, (pos.8) .....	9612132605	9612132709	9612132805	
8	1	Connex pin .....	9611990622	9611990622	9611990622	9611990622
2	1	Shroud .....	9612139008	9612139005	9612139006	9612593801
3	4	Screw .....	9611993240	9611993241	9611993243	9611993243
16	1	Adaptor .....	9612342501	9612342601	9612342601	9612342701
17	4	Screw for adaptor .....	9611992162	9611992163	9611992164	9611992164
18	4	Nut for adaptor .....	9611990587	9611992160	9611992160	9611992160
19	4	Washer for adaptor .....	9611990676	9611991886	9611991886	9611991886
22	1	Safety guard set .....	9614077403	9614077404	9614077404	9614077404
23	1	Screw for safety guard .....	9611993239	9611993239	9611993239	9611993239
30a	1	Support bar, right .....	9612132206	9612132203	9612132204	9612342201
30b	1	Support bar, left .....	9612132306	9612132303	9612132304	9612342201
31	4	Leg .....	9612396701	9612396701	9612396701	9612396701
32	4	Screw .....	9611991126	9611991126	9611991126	9611991907
33	4	Nut .....	9611990353	9611990587	9611990587	9611990587
34	4	Spring washer .....	9611991887	9611990676	9611990676	9611990676
35	4	Screw .....	9611991911	9611991834	9611991834	9611993680
35a	4	Washer .....	9611990786	9611990706	9611990706	9611990703
46	4	Distance sleeve .....	9611992737	3143803902	3143803901	3143803903
53	4	Pivot screw .....				9611991763



LKH - Motor dependent parts

Pos	Qty	Denomination	LKH 70/85/90	LKH 70/85/90	LKH 70/85/90	LKH 70/85/90	LKH 70/85
			IEC132	IEC160	IEC180	IEC200	IEC250
5a	1	Compression ring with thread	9612133605	9612133603	9612133604	9612133607	9612133608
5b	1	Compression ring without thread	9612133705	9612133703	9612133704	9612133707	9612133708
6	6	Screw	9611993197	9611993198	9611993198	9611993198	9611993266
6a	6	Washer	9611993199	9611993199	9611993199	9611993199	9611993199
7	1	Shaft incl. pin, (pos.8)	9612614703	9612512603	9612512303	9612512203	9612501003
2	1	Shroud	9612139008	9612139005	9612139006	9612593801	9612593804
3	4	Screw	9611993240	9611993241	9611993243	9611993243	9611993243
16	1	Adaptor	9612614601	9612511901	9612511901	9612511801	9612500801
17	4	Screw for adaptor	9611992162	9611992163	9611992164	9611992164	9611992200
18	4	Nut for adaptor	9611990587	9611992160	9611992160	9611992160	9611992160
19	4	Washer for adaptor	9611990676	9611991886	9611991886	9611991886	9611991886
22	1	Safety guard set	9614077406	9614077407	9614077407	9614077407	9614077408
23	1	Screw for safety guard	9611993239	9611993239	9611993239	9611993239	9611993239
30a	1	Support bar, right	9612132206	9612132203	9612132204	9612342201	
30b	1	Support bar, left	9612132306	9612132303	9612132304	9612342201	
31	4	Leg	9612396701	9612396701	9612396701	9612396701	
32	4	Screw	9611991126	9611991126	9611991126	9611991907	
33	4	Nut	9611990353	9611990587	9611990587		9611990935
34	4	Spring washer	9611991887	9611990676	9611990676		9611993267
35	4	Screw	9611991911	9611991834	9611991834	9611993680	9611993268
35a	4	Washer	9611990786	9611990706	9611990706	9611990703	9611993269
46	4	Distance sleeve	9611992737	3143803902	3143803901	3143803903	3143803901
47	2	Leg bracket					9612518401
48	4	Nut for leg					9611993260
49	4	Screw for leg					9612518501
53	4	Pivot screw				9611991763	

Pos	Qty	Denomination	LKH 90	LKH 85
			IEC250	IEC280
5a	1	Compression ring with thread	9612133609	9612133609
5b	1	Compression ring without thread	9612133709	9612133709
6	8	Screw	9611993266	9611993266
6a	8	Washer	9611993199	9611993199
7	1	Shaft incl. pin, (pos.8)	9613406501	9613406501
2	1	Shroud	9612593804	9612593806
3	4	Screw	9611993243	9611993243
16	1	Adaptor	9612500801	9612500801
17	4	Screw for adaptor	9611992200	9611992200
18	4	Nut for adaptor	9611992160	9611992160
19	4	Washer for adaptor	9611991886	9611991886
22	1	Safety guard set	9614077408	9614077408
23	1	Screw for safety guard	9611993239	9611993239
33	4	Nut	9611990935	9611990935
34	4	Spring washer	9611993267	9611993267
35	4	Screw	9611993268	9611993268
35a	4	Screw	9611993269	9611993269
46	4	Distance sleeve	3143803901	3143803903
47	2	Leg bracket	9612518401	9612518403
48	4	Nut for legs	9611993260	9611993260
49	4	Screw for legs	9612518501	9612518501



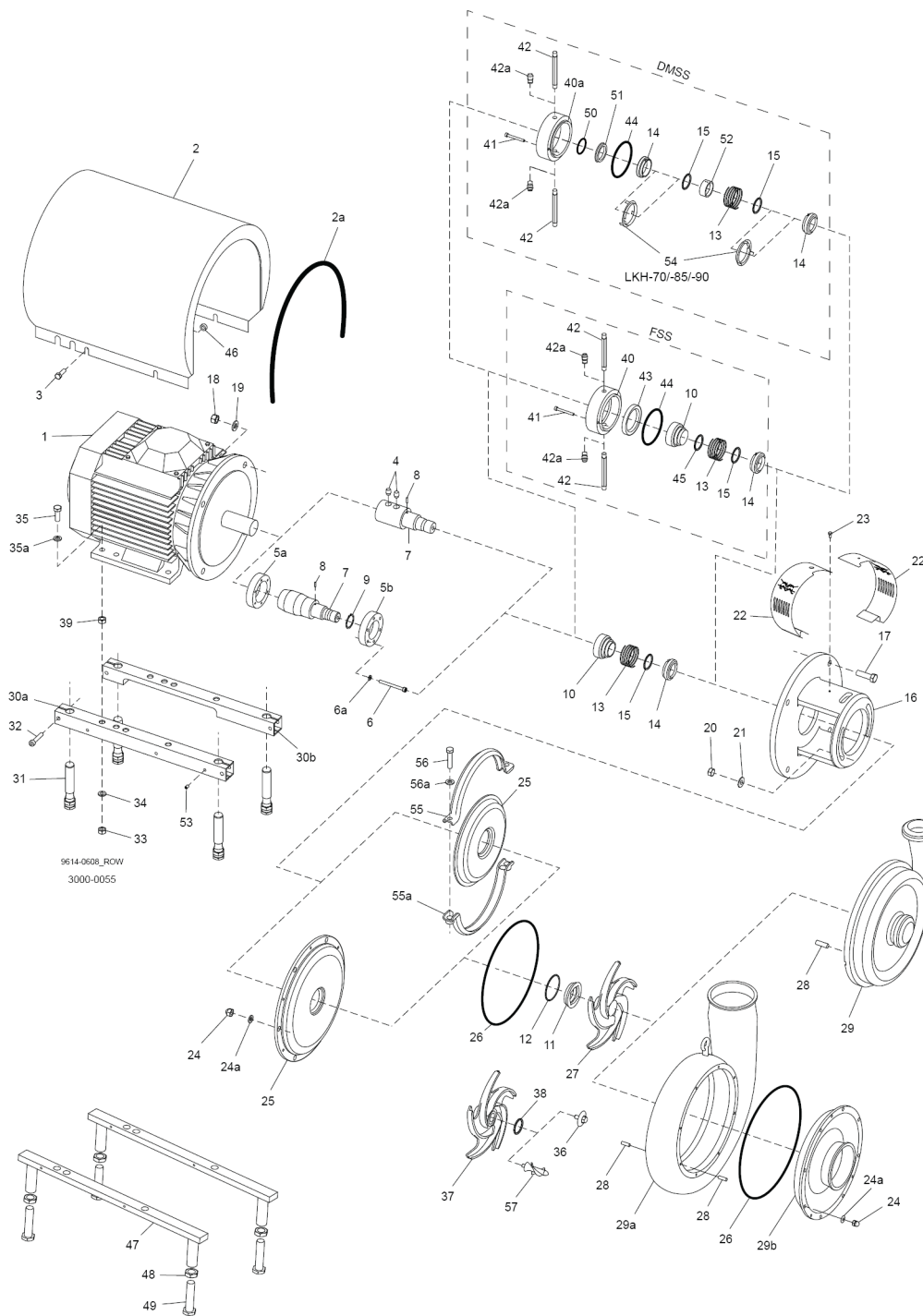


## LKH - Motor dependent parts

Pos	Qty	Denomination	LKH 5-70 1.1 kW IEC80	LKH 5-70 1.5 kW IEC90	LKH 5-70 2.2 kW IEC90	LKH 5-70 3 kW IEC100	LKH 5-70 4 kW IEC112	LKH 5-70 5.5 kW IEC132
1	1	Motor ABB, 3000rpm .....	9614303002	9614303003	9614303004	9614303005	9614303006	9614303007
	1	Motor ABB, 1500rpm .....						9612402821
Pos	Qty	Denomination	LKH 5-70 7.5 kW IEC132	LKH 5-70 11 kW IEC160	LKH 5-70 15 kW IEC160	LKH 5-70 18.5 kW IEC160	LKH 5-70 22 kW IEC180	LKH 5-70 30 kW IEC200
1	1	Motor ABB, 3000rpm .....	9614303008	9614303009	9614303010	9614303011	9614303012	9614303013
	1	Motor ABB, 1500rpm .....	9612402835				9614303028	9614303029
Pos	Qty	Denomination	LKH 5-70 37 kW IEC200	LKH 5-70 45 kW IEC200	LKH 5-70 55 kW IEC250	LKH 5-70 75 kW IEC250		
1	1	Motor ABB, 3000rpm .....	9614303014	9614303015	9614303016	9614303017		
	1	Motor ABB, 1500rpm .....	9614303030		9614303032	9614303033		
Pos	Qty	Denomination	LKH-85 30 kW IEC200	LKH-85 37 kW IEC200	LKH-85 45 kW IEC200	LKH-85 55 kW IEC250	LKH-85 75 kW IEC250	LKH-85 90 kW IEC280
1	1	Motor ABB, 3000rpm .....	9614289516	9614289517	9614289518	9614289519	9614289520	9614289522
Pos	Qty	Denomination	LKH-85 110 kW IEC280					
1	1	* Motor ABB Isolated bearings, 3000rpm .....	9614289524					
Pos	Qty	Denomination	LKH-90 30 kW IEC200	LKH-90 37 kW IEC200	LKH-90 55 kW IEC250	LKH-90 75 kW IEC250		
1	1	Motor ABB, 1500rpm .....	9614303029	9614303030	9614303032	9614303033		

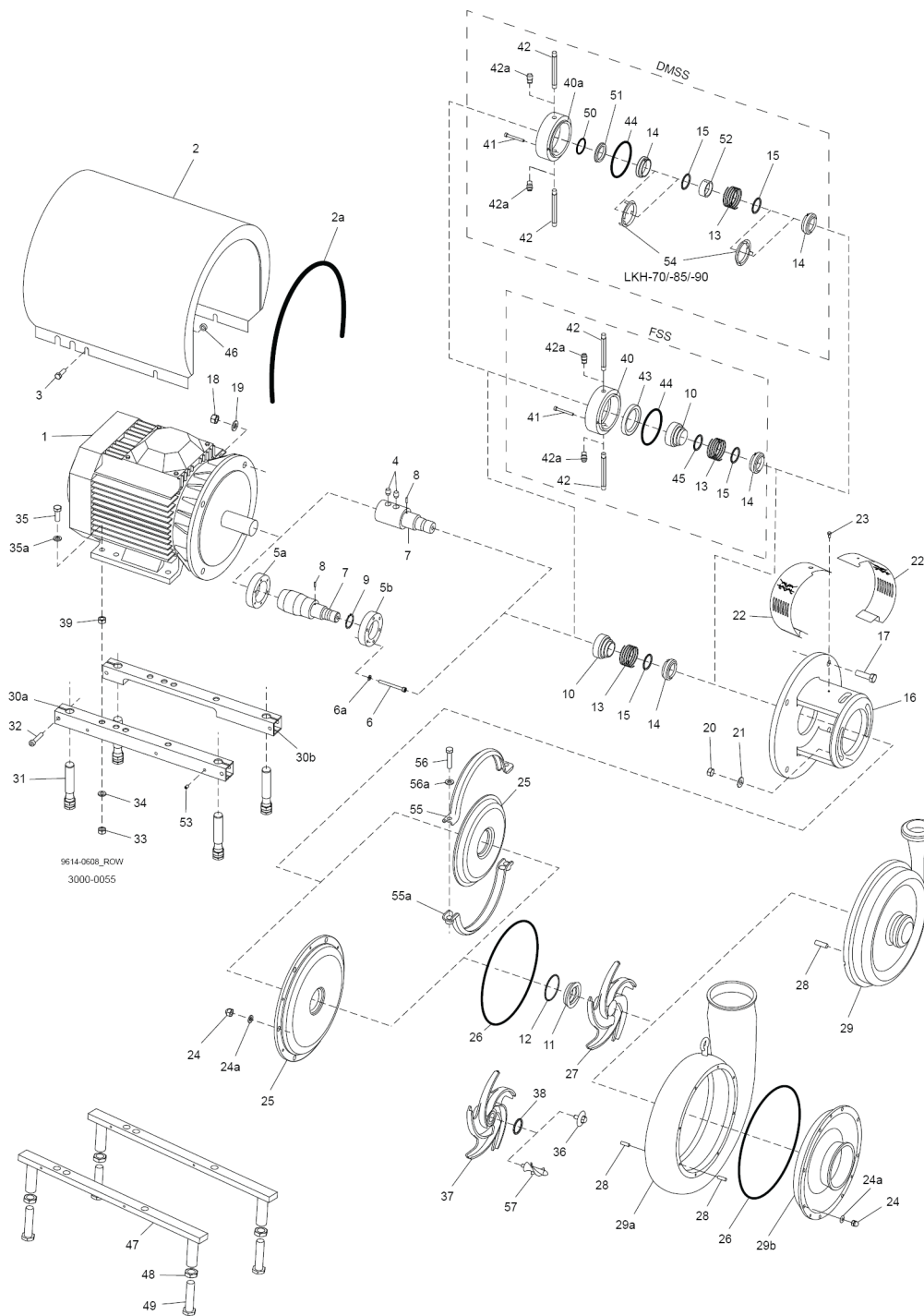
3 ~, 50 Hz, 230VD/400-415VY - Standard ≤ 22 kW and 400-415VD/690VY Standard > 22 kW  
 3 ~, 60 Hz, 440-460VY - Standard ≤ 22 kW and 440-460VD Standard > 22 kW

\* Bearings for frequency converter



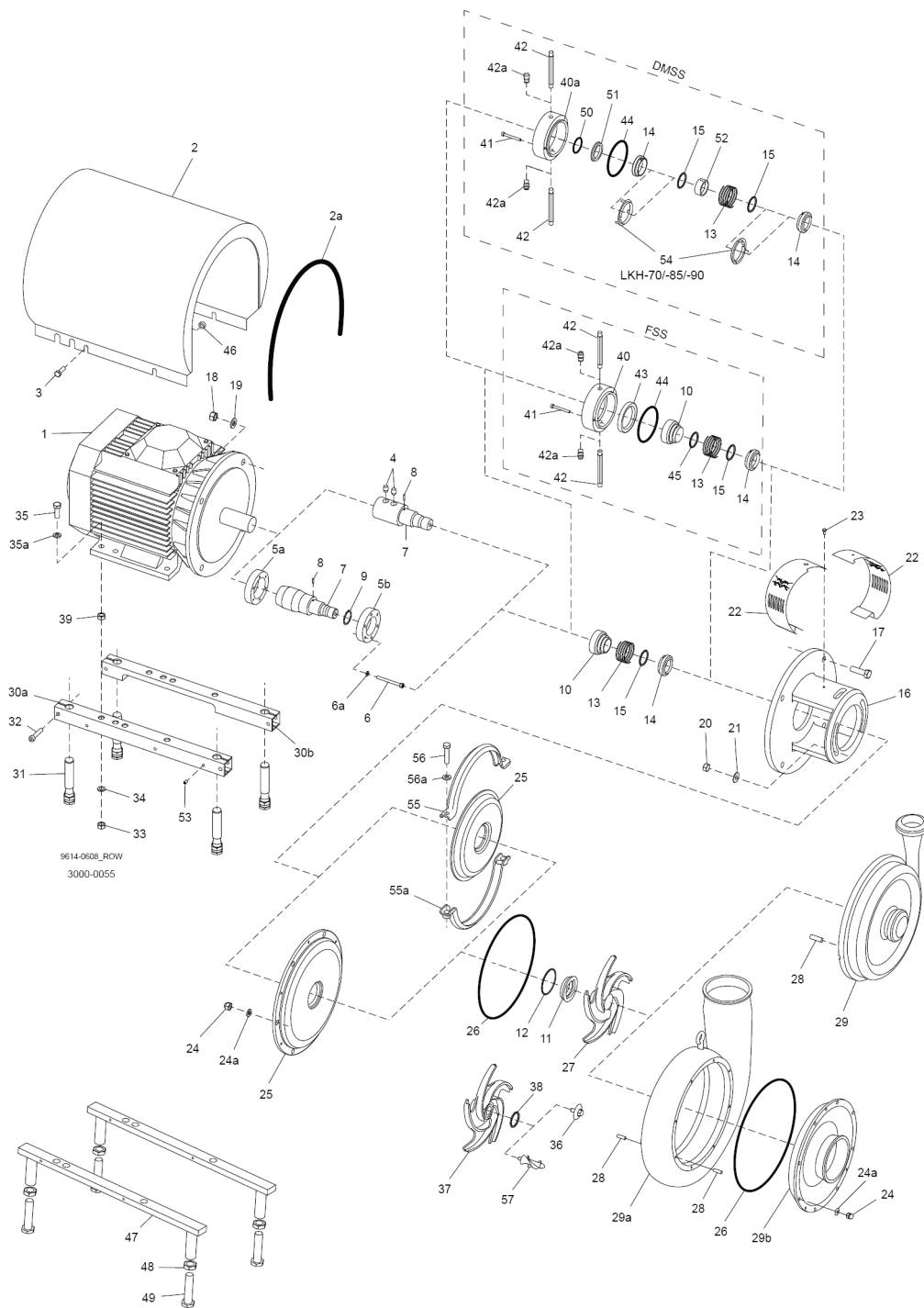
## LKH - Shaft seal

Pos	Qty	Denomination	LKH 5-20	LKH 25-60	LKH-70	LKH-85	LKH-90
<b>Accessories</b>							
	1	Tool complete .....	9612903601	9612903601	9612903701	9612903701	9612903701
<b>Parts for flushed shaft seal</b>							
40	1	Seal housing .....	9612133901	9612133901	9612514401	9612514401	9612514401
41	2	Screw for seal housing .....	9611990203	9611990203	9611993232	9611993232	9611993232
42	2	Tube .....	9612358901	9612358907	9612358903		9612358901
42a	2	Fitting .....				9611992323	
<b>Parts for double mechanical shaft seal</b>							
40a	1	Seal housing .....	9612133902	9612133902	9612591401	9612591401	9612591401
41	2	Screw for seal housing .....	9611990203	9611990203	9611993766	9611993766	9611993766
42	2	Tube .....	9612358901	9612358907	9612358903		9612358901
42a	2	Fitting .....				9611992323	
<b>Drive ring</b>							
10	1	Drive ring, Single shaft seal steel .....	9614206001	9614206001	9612514901	9612514901	9612514901
	1	Drive ring, Flushed shaft seal .....	9612139701	9612139701	9612514901	9612514901	9612514901



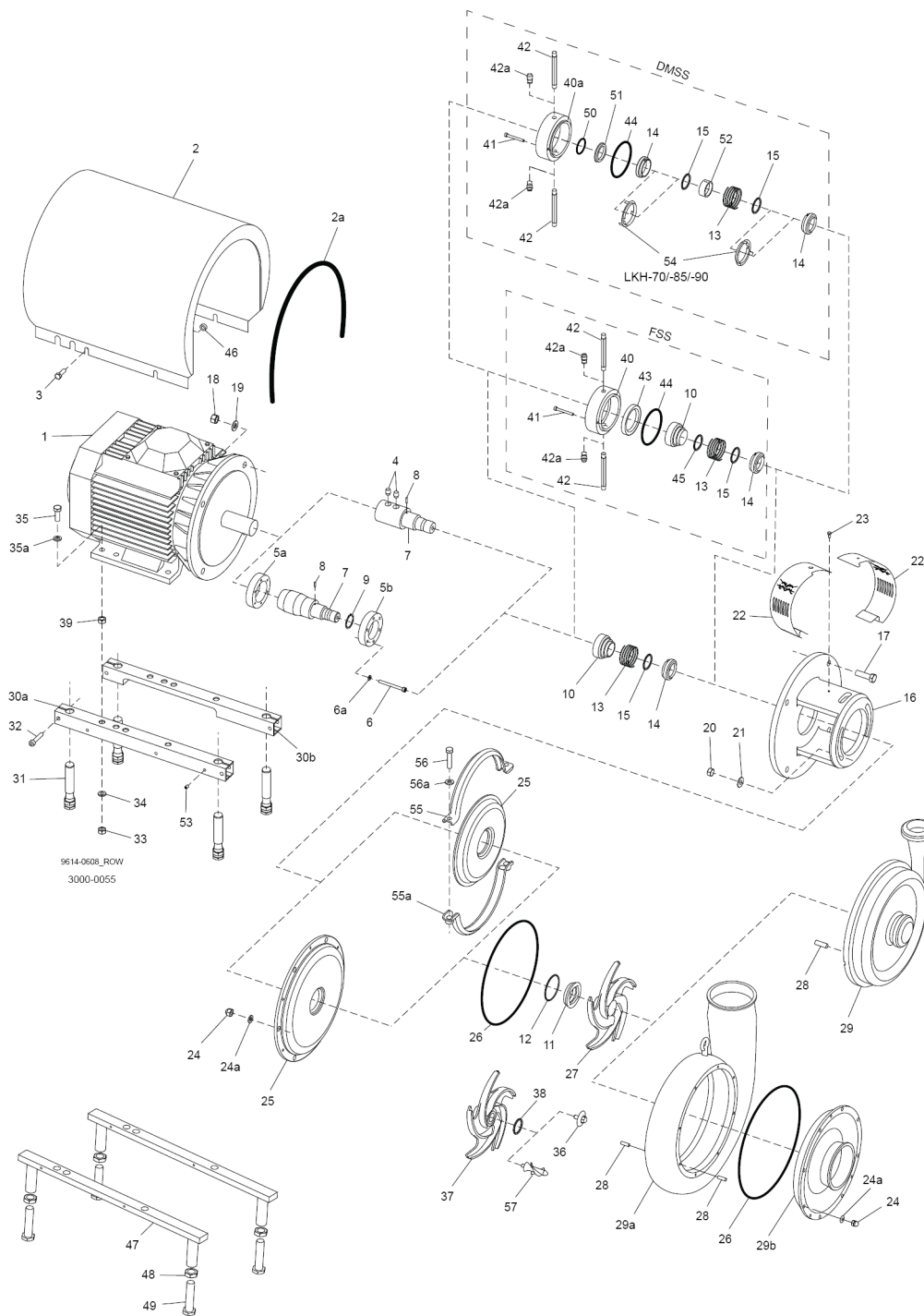
# LKH - Shaft seal

Pos	Qty	Denomination	LKH 5-60 EPDM	LKH 5-60 NBR	LKH 5-60 FPM	LKH 5-60 FEP
<b>Single shaft seal (standard)</b>						
		□◆ Complete shaft seal, C/SiC .....	9612129609	9612129610	9612129611	9612129612
11	1	Stationary seal ring, SiC .....				
12	1	O-ring .....				
13	1	Spring .....				
14	1	Rotating seal ring, carbon .....				
15	1	O-ring .....				
<b>Alternatives for single shaft seal</b>						
		◆◆ Complete shaft seal, SiC/SiC .....	9612129605	9612129606	9612129607	9612129608
11	1	Stationary seal ring, SiC .....				
12	1	O-ring .....				
13	1	Spring .....				
14	1	Rotating seal ring, SiC .....				
15	1	O-ring .....				
<b>Flushed shaft seal (standard)</b>						
		○★ Complete shaft seal, C/SiC .....	9612129625	9612129626	9612129627	9612129628
11	1	Stationary seal ring, SiC .....				
12	1	O-ring .....				
13	1	Spring .....				
14	1	Rotating seal ring, carbon .....				
15	1	O-ring .....				
43	1	Lip seal .....				
44	1	O-ring for seal housing, EPDM .....				
45	1	O-ring for drive ring .....				
<b>Alternatives for flushed shaft seal</b>						
		■☉ Complete shaft seal, SiC/SiC .....	9612129629	9612129630	9612129631	9612129632
11	1	Stationary seal ring, SiC .....				
12	1	O-ring .....				
13	1	Spring .....				
14	1	Rotating seal ring, SiC .....				
15	1	O-ring .....				
43	1	Lip seal .....				
44	1	O-ring for seal housing, EPDM .....				
45	1	O-ring for drive ring .....				
<b>Double mechanical shaft seal (standard)</b>						
		△▲ Complete seal, C/SiC .....	9612129613	9612129614	9612129615	9612129616
11	1	Stationary seal ring, SiC .....				
12	1	O-ring .....				
13	1	Spring .....				
14	2	Rotating seal ring, carbon .....				
15	2	O-ring .....				
44	1	O-ring for seal housing, EPDM .....				
50	1	O-ring, EPDM .....				
51	1	Sec. stationary seal ring .....				
52	1	Drive ring .....				
54	2	Cup .....				
<b>Alternatives for double mechanical shaft seal</b>						
		☼● Complete shaft seal, SiC/SiC .....	9612129617	9612129618	9612129619	9612129620
11	1	Stationary seal ring, SiC .....				
12	1	O-ring .....				
13	1	Spring .....				
14	2	Rotating seal ring, SiC .....				
15	2	O-ring .....				
44	1	O-ring for seal housing, EPDM .....				
50	1	O-ring, EPDM .....				
51	1	Sec. stationary seal ring .....				
52	1	Drive ring .....				
54	2	Cup .....				



# LKH - Shaft seal

Pos	Qty	Denomination	LKH 70-90 EPDM	LKH 70-90 NBR	LKH 70-90 FPM	LKH 70-90 FEP
<b>Single shaft seal (standard)</b>						
		□◆ Complete shaft seal, C/SiC .....	9612515101	9612515102	9612515103	9612515104
11	1	Stationary seal ring, SiC .....				
12	1	O-ring .....				
13	1	Spring .....				
14	1	Rotating seal ring, carbon .....				
15	1	O-ring .....				
<b>Alternatives for single shaft seal</b>						
		◆◆ Complete shaft seal, SiC/SiC .....	9612515105	9612515106	9612515107	9612515108
11	1	Stationary seal ring, SiC .....				
12	1	O-ring .....				
13	1	Spring .....				
14	1	Rotating seal ring, SiC .....				
15	1	O-ring .....				
<b>Flushed shaft seal (standard)</b>						
		○★ Complete shaft seal, C/SiC .....	9612515109	9612515110	9612515111	
11	1	Stationary seal ring, SiC .....				
12	1	O-ring .....				
13	1	Spring .....				
14	1	Rotating seal ring, carbon .....				
15	1	O-ring .....				
43	1	Lip seal .....				
44	1	O-ring for seal housing, EPDM .....				
45	1	O-ring for drive ring .....				
<b>Alternatives for flushed shaft seal</b>						
		■◆ Complete shaft seal, SiC/SiC .....	9612515113		9612515115	9612515116
11	1	Stationary seal ring, SiC .....				
12	1	O-ring .....				
13	1	Spring .....				
14	1	Rotating seal ring, SiC .....				
15	1	O-ring .....				
43	1	Lip seal .....				
44	1	O-ring for seal housing, EPDM .....				
45	1	O-ring for drive ring .....				
<b>Double mechanical shaft seal (standard)</b>						
		△▲ Complete seal, C/SiC .....	9612515117	9612515118	9612515119	9612515120
11	1	Stationary seal ring, SiC .....				
12	1	O-ring .....				
13	1	Spring .....				
14	2	Rotating seal ring, carbon .....				
15	2	O-ring .....				
44	1	O-ring for seal housing, EPDM .....				
50	1	O-ring, EPDM .....				
51	1	Sec. stationary seal ring .....				
52	1	Drive ring .....				
54	2	Cup .....				
<b>Alternatives for double mechanical shaft seal</b>						
		※● Complete shaft seal, SiC/SiC .....	9612515121	9612515122	9612515123	9612515124
11	1	Stationary seal ring, SiC .....				
12	1	O-ring .....				
13	1	Spring .....				
14	2	Rotating seal ring, SiC .....				
15	2	O-ring .....				
44	1	O-ring for seal housing, EPDM .....				
50	1	O-ring, EPDM .....				
51	1	Sec. stationary seal ring .....				
52	1	Drive ring .....				
54	2	Cup .....				





## LKH - Shaft seal

		EPDM	NBR	FPM	FEP
<b>Service kit for single shaft seal C/SiC</b>					
□	Service kit, C/SiC (LKH-5) .....	9611922302	9611922303	9611922304	9611922305
□	Service kit, C/SiC (LKH-10/15) .....	9611922072	9611922073	9611922074	9611922075
□	Service kit, C/SiC (LKH-20) .....	9611922080	9611922081	9611922082	9611922083
□	Service kit, C/SiC (LKH-25/35/45) .....	9611922178	9611922179	9611922180	9611922181
□	Service kit, C/SiC (LKH-40/50/60) .....	9611922088	9611922089	9611922090	9611922091
<b>Service kit for single shaft seal SiC/SiC</b>					
❖	Service kit, SiC/SiC (LKH-5) .....	9611922522	9611922523	9611922524	9611922525
❖	Service kit, SiC/SiC (LKH-10/15) .....	9611922546	9611922547	9611922548	9611922549
❖	Service kit, SiC/SiC (LKH-20) .....	9611922570	9611922571	9611922572	9611922573
❖	Service kit, SiC/SiC (LKH-25/35/45) .....	9611922594	9611922595	9611922596	9611922597
❖	Service kit, SiC/SiC (LKH-40/50/60) .....	9611922619	9611922620	9611922621	9611922622
<b>Service kit for single shaft seal and impeller screw C/SiC</b>					
♦	Service kit, C/SiC (LKH-5) .....	9611922306	9611922307	9611922308	9611922309
♦	Service kit, C/SiC (LKH-10/15) .....	9611922114	9611922115	9611922116	9611922117
♦	Service kit, C/SiC (LKH-20) .....	9611922122	9611922123	9611922124	9611922125
♦	Service kit, C/SiC (LKH-25/35/45) .....	9611922182	9611922183	9611922184	9611922185
♦	Service kit, C/SiC (LKH-40/50/60) .....	9611922130	9611922131	9611922132	9611922133
♦	Service kit, C/SiC (LKH-70) .....	9611922238	9611922239	9611922240	9611922241
♦	Service kit, C/SiC (LKH-85) .....	9611922952	9611922953	9611922954	9611922955
♦	Service kit, C/SiC (LKH-90) .....	9611922867	9611922868	9611922869	9611922870

## LKH - Shaft seal

		EPDM	NBR	FPM	FEP
<b>Service kit for single shaft seal and impeller screw SiC/SiC</b>					
◇	Service kit, SiC/SiC (LKH-5) .....	9611922526	9611922527	9611922528	9611922529
◇	Service kit, SiC/SiC (LKH-10/15) .....	9611922550	9611922551	9611922552	9611922553
◇	Service kit, SiC/SiC (LKH-20) .....	9611922574	9611922575	9611922576	9611922577
◇	Service kit, SiC/SiC (LKH-25/35/45) .....	9611922598	9611922599	9611922600	9611922601
◇	Service kit, SiC/SiC (LKH-40/50/60) .....	9611922623	9611922624	9611922625	9611922626
◇	Service kit, SiC/SiC (LKH-70) .....	9611922643	9611922644	9611922645	9611922646
◇	Service kit, SiC/SiC (LKH-85) .....	9611922964	9611922965	9611922966	9611922967
◇	Service kit, SiC/SiC (LKH-90) .....	9611922879	9611922880	9611922881	9611922882
<b>Service kit for flushed shaft seal C/SiC</b>					
○	Service kit, C/SiC (LKH-5) .....	9611922310	9611922311	9611922312	
○	Service kit, C/SiC (LKH-10/15) .....	9611922076	9611922077	9611922078	9611922079
○	Service kit, C/SiC (LKH-20) .....	9611922084	9611922085	9611922086	9611922087
○	Service kit, C/SiC (LKH-25/35/45) .....	9611922186	9611922187	9611922188	9611922189
○	Service kit, C/SiC (LKH-40/50/60) .....	9611922092	9611922093	9611922094	9611922095
<b>Service kit for flushed shaft seal SiC/SiC</b>					
■	Service kit, SiC/SiC (LKH-5) .....	9611922530	9611922531	9611922532	9611922533
■	Service kit, SiC/SiC (LKH-10/15) .....	9611922554	9611922555	9611922556	9611922557
■	Service kit, SiC/SiC (LKH-20) .....	9611922578	9611922579	9611922580	9611922581
■	Service kit, SiC/SiC (LKH-25/35/45) .....	9611922602	9611922603	9611922604	9611922605
■	Service kit, SiC/SiC (LKH-40/50/60) .....	9611922627	9611922628	9611922629	9611922630
<b>Service kit for flushed shaft seal and impeller screw C/SiC</b>					
*	Service kit, C/SiC (LKH-5) .....	9611922314	9611922315	9611922316	9611922317
*	Service kit, C/SiC (LKH-10/15) .....	9611922118	9611922119	9611922120	9611922121
*	Service kit, C/SiC (LKH-20) .....	9611922126	9611922127	9611922128	9611922129
*	Service kit, C/SiC (LKH-25/35/45) .....	9611922190	9611922191	9611922192	9611922193
*	Service kit, C/SiC (LKH-40/50/60) .....	9611922134	9611922135	9611922136	9611922137
*	Service kit, C/SiC (LKH-70) .....	9611922242	9611922243	9611922244	
*	Service kit, C/SiC (LKH-85) .....	9611922956	9611922957	9611922958	9611922959
*	Service kit, C/SiC (LKH-90) .....	9611922871	9611922872	9611922873	9611922874
<b>Service kit for flushed shaft seal and impeller screw SiC/SiC</b>					
⊗	Service kit, SiC/SiC (LKH-5) .....	9611922534	9611922535	9611922536	9611922537
⊗	Service kit, SiC/SiC (LKH-10/15) .....	9611922558	9611922559	9611922560	9611922561
⊗	Service kit, SiC/SiC (LKH-20) .....	9611922582	9611922583	9611922584	9611922585
⊗	Service kit, SiC/SiC (LKH-25/35/45) .....	9611922606	9611922607	9611922608	9611922609
⊗	Service kit, SiC/SiC (LKH-40/50/60) .....	9611922631	9611922632	9611922633	9611922634
⊗	Service kit, SiC/SiC (LKH-70) .....	9611922647	9611922648	9611922649	9611922650
⊗	Service kit, SiC/SiC (LKH-85) .....	9611922968	9611922969	9611922970	9611922971
⊗	Service kit, SiC/SiC (LKH-90) .....	9611922883	9611922884	9611922885	9611922886

LKH - Shaft seal

		EPDM	NBR	FPM	FEP
		EPDM	NBR	FPM	FEP
<b>Service kit for double mechanical shaft seal C/SiC</b>					
Δ	Service kit, C/SiC (LKH-5) .....	9611922318	9611922319		9611922321
Δ	Service kit, C/SiC (LKH-10/15) .....	9611922206	9611922207	9611922208	9611922209
Δ	Service kit, C/SiC (LKH-20) .....	9611922214	9611922215	9611922216	9611922217
Δ	Service kit, C/SiC (LKH-25/35/45) .....	9611922222	9611922223	9611922224	9611922225
Δ	Service kit, C/SiC (LKH-40/50/60) .....	9611922230	9611922231	9611922232	9611922233
<b>Service kit for double mechanical shaft seal SiC/SiC</b>					
⌘	Service kit, SiC/SiC (LKH-5) .....	9611922538	9611922539	9611922540	9611922541
⌘	Service kit, SiC/SiC (LKH-10/15) .....	9611922562	9611922563	9611922564	9611922565
⌘	Service kit, SiC/SiC (LKH-20) .....	9611922586	9611922587	9611922588	9611922589
⌘	Service kit, SiC/SiC (LKH-25/35/45) .....	9611922610	9611922611	9611922612	9611922613
⌘	Service kit, SiC/SiC (LKH-40/50/60) .....	9611922635	9611922636	9611922637	9611922638
<b>Service kit for double mechanical shaft seal and impeller screw C/SiC</b>					
▲	Service kit, C/SiC (LKH-5) .....	9611922322	9611922323	9611922324	9611922325
▲	Service kit, C/SiC (LKH-10/15) .....	9611922210	9611922211	9611922212	9611922213
▲	Service kit, C/SiC (LKH-20) .....	9611922218	9611922219	9611922220	9611922221
▲	Service kit, C/SiC (LKH-25/35/45) .....	9611922226	9611922227	9611922228	9611922229
▲	Service kit, C/SiC (LKH-40/50/60) .....	9611922234	9611922235	9611922236	
▲	Service kit, C/SiC (LKH-70) .....	9611922416	9611922417	9611922418	9611922419
▲	Service kit, C/SiC (LKH-85) .....	9611922960	9611922961	9611922962	9611922963
▲	Service kit, C/SiC (LKH-90) .....	9611922875	9611922876	9611922877	9611922878
<b>Service kit for double mechanical shaft seal and impeller screw SiC/SiC</b>					
●	Service kit, SiC/SiC (LKH-5) .....	9611922542	9611922543	9611922544	9611922545
●	Service kit, SiC/SiC (LKH-10/15) .....	9611922566	9611922567	9611922568	9611922569
●	Service kit, SiC/SiC (LKH-20) .....	9611922590	9611922591	9611922592	9611922593
●	Service kit, SiC/SiC (LKH-25/35/45) .....	9611922614	9611922615	9611922616	9611922617
●	Service kit, SiC/SiC (LKH-40/50/60) .....	9611922639	9611922640	9611922641	9611922642
●	Service kit, SiC/SiC (LKH-70) .....	9611922651	9611922652	9611922653	9611922654
●	Service kit, SiC/SiC (LKH-85) .....	9611922972	9611922973	9611922974	9611922975
●	Service kit, SiC/SiC (LKH-90) .....	9611922887	9611922888	9611922889	9611922890

Parts marked with □●○★▲△◇✦■⌘⊙● are included in the service kits. Recommended spare parts: Service kits. (900601/8)

Conversion kit - single to double mechanical shaft seal: Please order double mechanical service kit + pos. 40a+41+42 (for LKH-85 pos. 40a+41+42a). Conversion kit single to flushed shaft seal: Please order Flushed service kit + pos. 10+40+41+42 (for LKH85 pos.10+ 40+41+42a). Replace to inducer (for pump with impeller screw). Please order pos. 7+57+38. Replace inducer (for pump without impeller screw) please order pos. 7+57+37+38.

**How to contact Alfa Laval**

Contact details for all countries are continually updated on our website.

Please visit [www.alfalaval.com](http://www.alfalaval.com) to access the information directly.

© Alfa Laval Corporate AB

This document and its contents is owned by Alfa Laval Corporate AB and protected by laws governing intellectual property and thereto related rights. It is the responsibility of the user of this document to comply with all applicable intellectual property laws. Without limiting any rights related to this document, no part of this document may be copied, reproduced or transmitted in any form or by any means (electronic, mechanical, photocopying, recording, or otherwise), or for any purpose, without the expressed permission of Alfa Laval Corporate AB. Alfa Laval Corporate AB will enforce its rights related to this document to the fullest extent of the law, including the seeking of criminal prosecution.